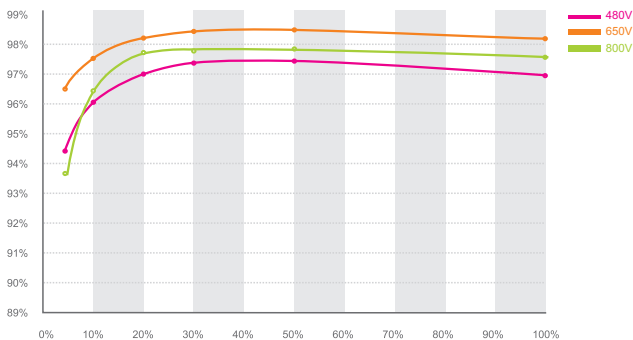


Leading - edge Technology

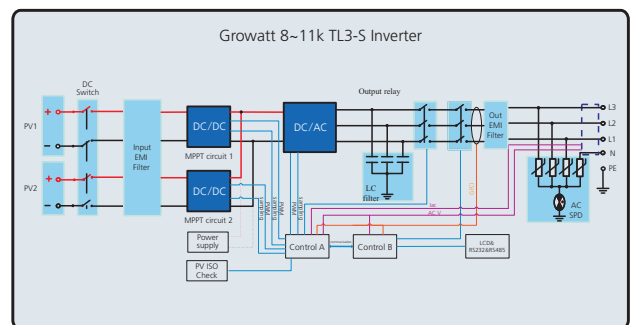
- ▶ Max. DC Voltage up to 1000V
- ▶ Max efficiency 98.4%
- ▶ Compact design
- ▶ Multi MPP controller
- ▶ Natural cooling, fanless design
- ▶ Max. DC/AC ratio up to 1.2
- ▶ Long-term overload at 1.1 Pn
- ▶ High power density, offer lighter and easy installation
- ▶ Flexible communication connection, support RF, WiFi, Ethernet
- ▶ Comprehensive Growatt warranty program



Growatt 11000TL3-S efficiency



Growatt 8-11kTL3-S topology



Datasheet	Growatt 8000TL3-S	Growatt 9000TL3-S	Growatt 10000TL3-S	Growatt 11000TL3-S
Input data				
Max. recommended PV power (for module STC)	9600W	10800W	12000W	13200W
Max. DC voltage	1000V	1000V	1000V	1000V
Start Voltage	250V	250V	250V	250V
PV voltage range	160V-1000V	160V-1000V	160V-1000V	160V-1000V
Nominal voltage	600V	600V	600V	600V
MPP voltage range at Full Power	360V-850V	400V-850V	450V-850V	450V-850V
Max. input current	11.5A/11.5A	11.5A/11.5A	13A/13A	13A/13A
Max. input current per string	12A	12A	12A	12A
Number of independent MPP trackers/ strings per MPP tracker	2/1	2/1	2/1	2/1
Output (AC)				
Rated AC output power	8kW	9kW	10kW	11kW
Max AC apparent power	8.8kVA	9.9kVA	11kVA	12.1kVA
Max. output current	13.3A	15A	16.7A	18.3A
AC nominal voltage; range	230V/400V 184~275V	230V/400V 184~275V	230V/400V 184~275V	230V/400V 184~275V
AC grid frequency	50/60Hz	50/60Hz	50/60Hz	50/60Hz
Power factor	0.8leading - 0.8laging	0.8leading - 0.8laging	0.8leading - 0.8laging	0.8leading - 0.8laging
THDi @Full load&Thdv<1%	<3%	<3%	<3%	<3%
AC grid connection type	3/N/PE	3/N/PE	3/N/PE	3/N/PE
Efficiency				
Max. efficiency	98.3%	98.4%	98.4%	98.4%
Euro - eta	97.8%	98%	98%	98%
MPPT efficiency	99.5%	99.5%	99.5%	99.5%
Protection Devices				
DC reverse polarity protection	yes	yes	yes	yes
DC switch for each MPPT	yes	yes	yes	yes
Output over current protection	yes	yes	yes	yes
Output AC overvoltage Protection - Varistor	yes	yes	yes	yes
Ground fault monitoring	yes	yes	yes	yes
Grid monitoring	yes	yes	yes	yes
Integrated all-pole sensitive leakage current monitoring unit	yes	yes	yes	yes
General Data				
Dimensions(W/H/D)	480/448/200 mm	480/448/200 mm	480/448/200 mm	480/448/200 mm
Weight	21.6kg	21.6kg	21.6kg	21.6kg
Operating temperature range	-25 °C ... +60 °C (with derating above 45°C)	-25 °C ... +60 °C (with derating above 45°C)	-25 °C ... +60 °C (with derating above 45°C)	-25 °C ... +60 °C (with derating above 45°C)
Noise emission (typical)	≤35 dB(A)	≤35 dB(A)	≤35 dB(A)	≤35 dB(A)
Altitude	3000m	3000m	3000m	3000m
Self-consumption night	< 0.5W	< 0.5W	< 0.5W	< 0.5W
Topology	Transformerless	Transformerless	Transformerless	Transformerless
Cooling concept	Natural	Natural	Natural	Natural
Environmental Protection Rating	IP65	IP65	IP65	IP65
Relative humidity	0~100%	0~100%	0~100%	0~100%
Features				
DC connection	H4/MC4(opt)	H4/MC4(opt)	H4/MC4(opt)	H4/MC4(opt)
AC connection	Screw terminal	Screw terminal	Screw terminal	Screw terminal
Display	LCD	LCD	LCD	LCD
Interfaces:RS232/RS485/RF/Ethernet/Wi-Fi	yes/yes/opt/opt/opt	yes/yes/opt/opt/opt	yes/yes/opt/opt/opt	yes/yes/opt/opt/opt
Warranty:5 years/10 years	yes/opt	yes/opt	yes/opt	yes/opt
Certificates and Approvals				